

# 2040Pi-PLUS HIGH-OUTPUT ASSEMBLY and OPERATING INSTRUCTIONS

**EarthWay**  
HIGH-OUTPUT

Congratulations on the purchase of this new HIGH-OUTPUT spreader. Please call us if you have any difficulty with assembly or operation of this spreader. We can be reached via the telephone at 800-294-0671 or 574-848-7491 Monday—Friday 9:00am ~ 4:00pm or visit us online at [www.earthway.com](http://www.earthway.com) This spreader comes with *lifetime technical support*, email us at [support@earthway.com](mailto:support@earthway.com) if you have any questions.

## HELPFUL HINTS: READ THE DIRECTIONS BEFORE ASSEMBLY

THIS SPREADER COMES PARTIALLY ASSEMBLED, REQUIRING YOU TO INSTALL THE CONTROL ROD AND WILL REQUIRE 1 PAIR OF PLIERS.

- ☑ Your spreader is designed to be pushed at three miles per hour, which is a brisk walking speed. Slower or faster speeds will change the spread patterns.
- ☑ Prior to your first use, coat all metal parts (inside and outside tubing) with WD-40 or other spray lube to help prevent corrosion.
- ☑ Clean your spreader thoroughly after each use. *Wash with clean water and dry thoroughly and spray a light coating of oil on all metal parts (inside all of the tubing) to help prevent corrosion.*
- ☑ Gears are permanently lubricated at the factory. Do not open the gearbox or dirt may enter.

## ASSEMBLY INSTRUCTIONS

### STEP 1:

**Remove spreader from carton and pull handle into position shown at right. Tighten wingnuts to secure.**

**EarthWay**  
TOOLS

EarthWay® 13203PE 450001 | 888-118-8531 | earth@earthway.com | www.earthway.com

### STEP 2:

**Install Control Rod into handle as shown above.**  
**TIP: Install the Control Rod using pliers to squeeze into Lever.**

### STEP 4:

**Insert Control Rod into Pivot and secure with Hair Pin Clip.**

### STEP 3:

**Rotate forward.**

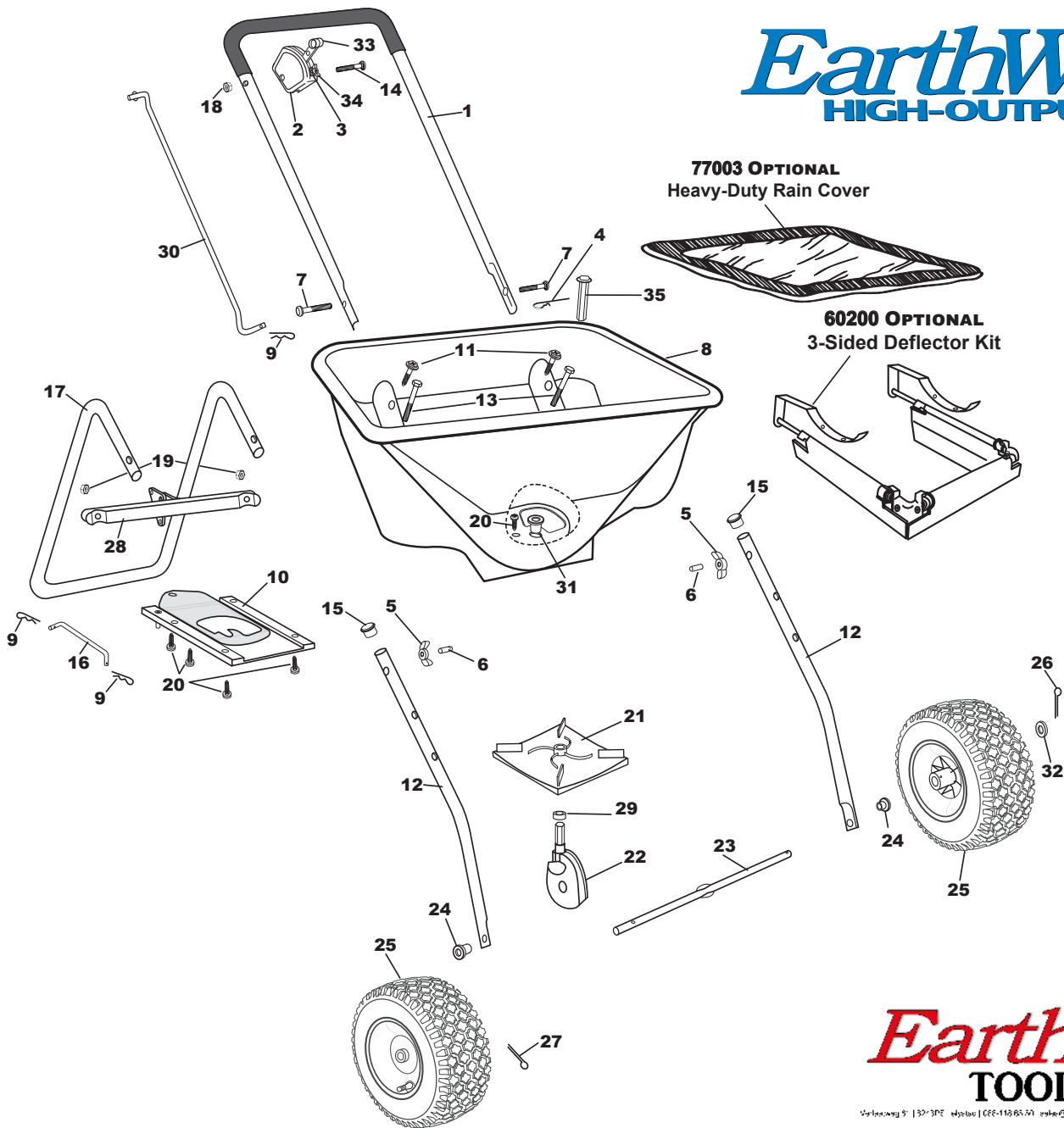
**Assembly is complete. Set the stop on the Control Assembly for the desired setting and your spreader is ready to operate.**



## 5-Year LIMITED WARRANTY

Earthway Products, Inc. warrants this product free of defects in original workmanship and materials for a period of 5-years to the end user with the original purchase receipt for at home use. If used for business, the warranty is 90-days. If a manufacturing non-conformance is found, Earthway Products, Inc. at its discretion will repair or replace the part(s) or product at no charge provided the failure is not the result of incorrect installation, mishandling, misuse, tampering, or normal wear and tear as determined by Earthway. Earthway at its discretion may require that the part(s) or product be returned along with the original purchase receipt at owners' expense for examination and compliance with the terms of this warranty. Do not return any product without first receiving authorization from Earthway Products, Inc. To seek remedy under this warranty, contact Earthway Products, Inc. at 574-848-7491, [support@earthway.com](mailto:support@earthway.com) or write to Earthway Products, Inc. P.O. Box 547 Bristol, Indiana 46507 and describe the nature of the manufacturing defect. **SPECIFIC LIMITATIONS:** This warranty covers only the part(s) or product; any labor charges associated with repair or replacement of non-conformances are specifically excluded. Due to the corrosive nature of most fertilizers and ice melt products, Earthway Products, Inc. makes no warranty against and specifically excludes part(s) or product degradation or failure due to corrosion or its effects. Clean and dry your spreader thoroughly after each use, as a preventative measure, coat all metal parts with a light oil or silicon spray.

11-2018 Pt. #52214PIR



## 2040Pi-PLUS PARTS LIST

KEY	PART	DESCRIPTION	KEY	PART	DESCRIPTION	KEY	PART	DESCRIPTION
1	60346	UPPER HANDLE	13	36213	1/4-20 X 2 1/2 HHCS	25	70149	9 IN PNEUMATIC WHEEL
2	60524PIR	CONTROL ASSEMBLY	14	37108	1/4-20 X 1 3/4" CARRIAGE BOLT	26	33106	1/8" X 3/4" COTTER PIN
3	12223	INDICATOR	15	19132	7/8" TUBE PLUG	27	33107	1/8" X 1 3/4" COTTER PIN S.S.
4	33117	AGITATOR	16	41279	PIVOT ROD	28	12295	CONTROL SUPPORT
5	60027	WING NUT ASSEMBLY	17	25720PIR	STAND	29	12201	DUST COVER - Hex
6	70142	NUT PROTECTOR	18	32100	1/4-20 HEX NUT	30	42287	CONTROL ROD
7	37116	1/4-20 X 2 1/4 CARRIAGE BOLT	19	32103	1/4-20 NYLON INS LOCKNUT	31	12251	HOPPER BUSHING
8	60242	HOPPER ASSEMBLY	20	31122	#8 X 5/8" PHPS TYPE A BLACK	32	34103	1"OD X 17/32"ID X 1/32" WASHER
9	33100	HAIR PIN CLIP	21	12255	IMPELLER DISHED	33	12296	LEVER
10	12230PIR	SHUTOFF ASSEMBLY	22	60257	GEAR BOX	34	32106	10-24 WING NUT
11	31141	#14 X 3/4" TYPE "AB" HWHS	23	23519	AXLE	35	12275	AGITATOR SHAFT
12	25721	LOWER HANDLE	24	12197	SPACER BEARING			

**ATTENTION:**  
DO NOT USE FERTILIZER IN THE 2040PiPlus!

**ATTENTION:**  
N'EMPLOYEZ PAS L'ENGRAIS DANS LE 2040PiPlus!

**ATENCIÓN:**  
¡NO UTILICE EL FERTILIZANTE EN EL 2040PiPlus!